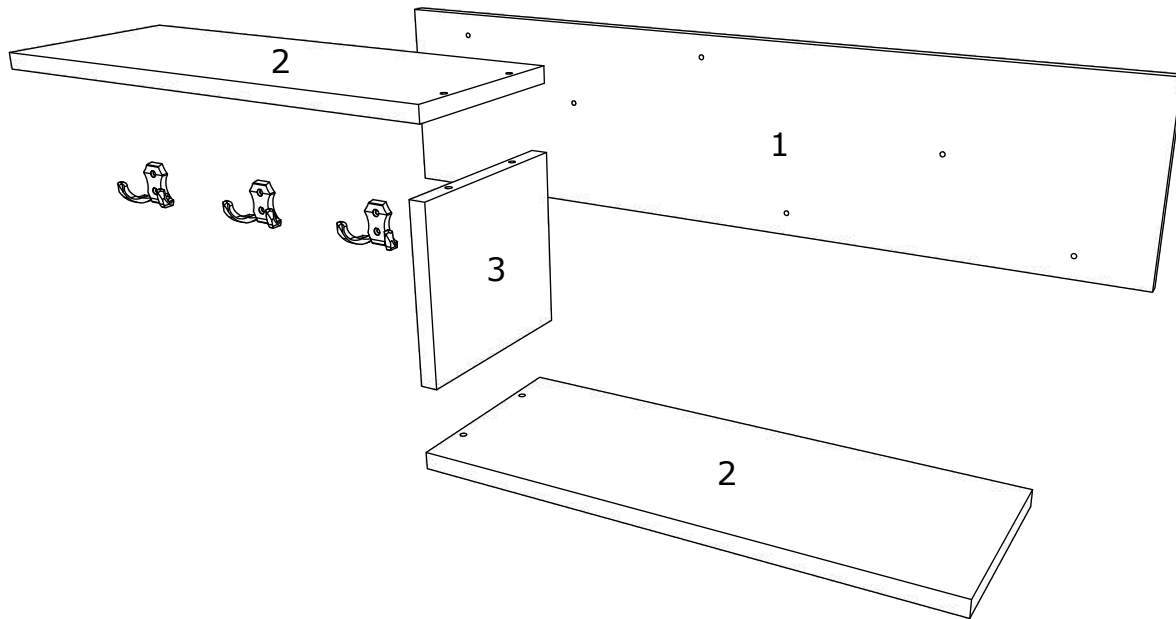
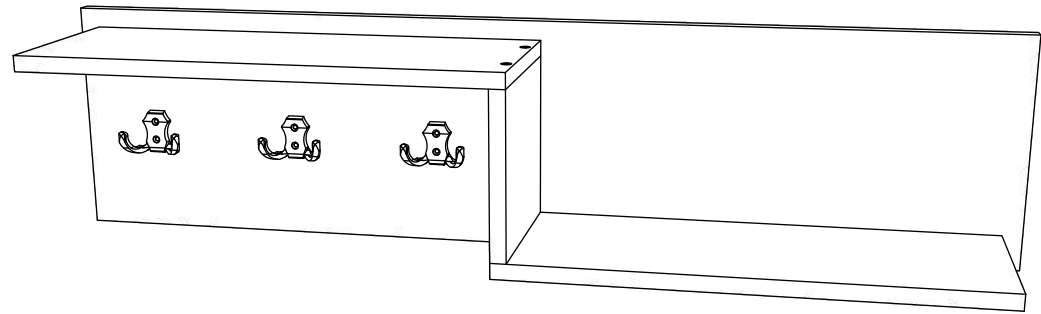
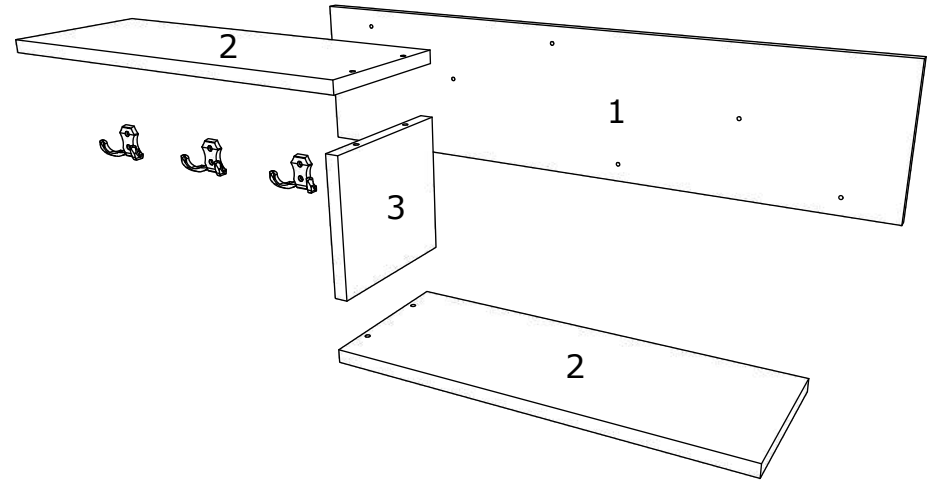
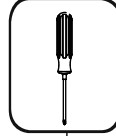
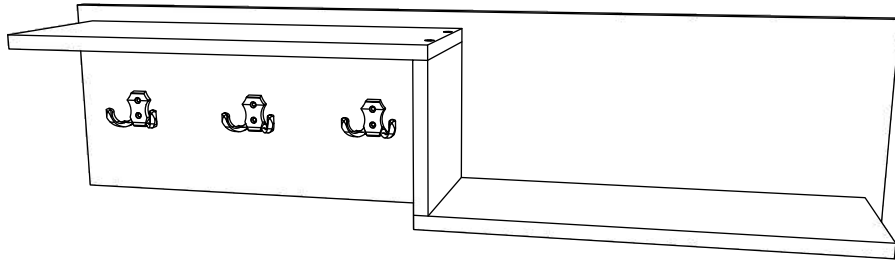




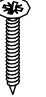



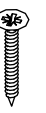

EN ASSEMBLY INSTRUCTIONS - **GINGER HANGER - 1000 x 200 x 240 MM**

EN

NUMBER	LENGHT	WIDTH	PCS	COLOUR
1	1000	240	1	COLOUR
2	488	184	2	COLOUR
3	168	184	1	COLOUR



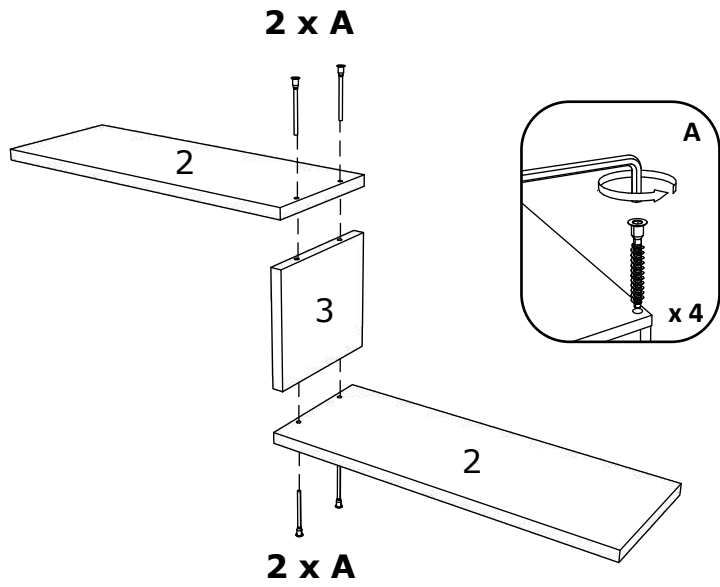


A	7x50mm  x 8	A*  x 4	B	6x80mm  x 2	B*  x 2
C	 x 2	D	 x 1	E	3.5x20mm  x 6
				F	 x 3

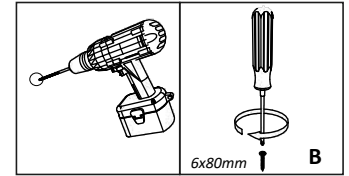
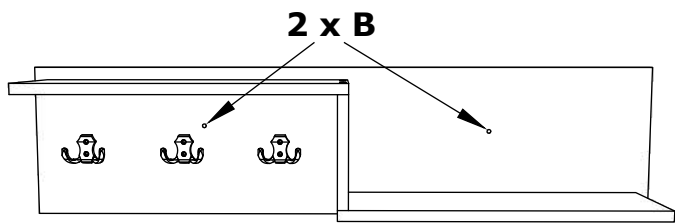
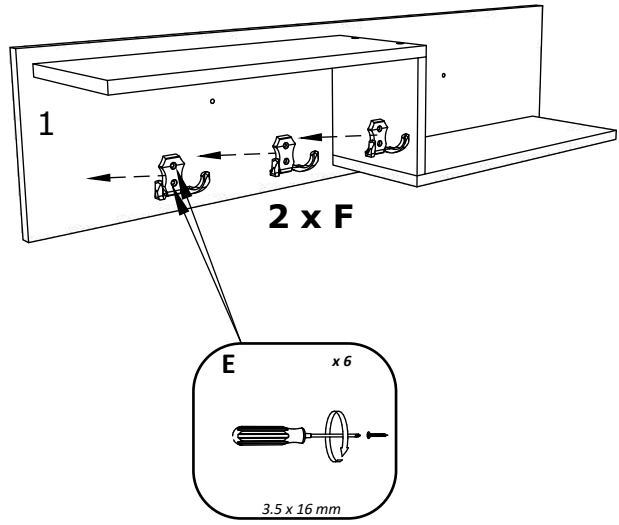
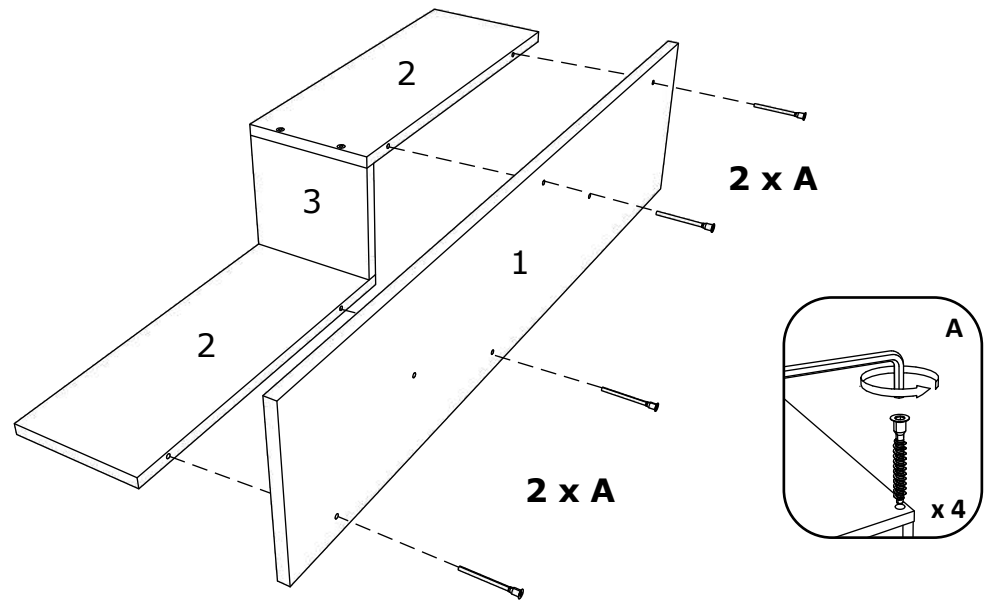
EN

NUMBER	LENGHT	WIDTH	PCS	COLOUR
1	1000	240	1	COLOUR
2	488	184	2	COLOUR
3	168	184	1	COLOUR

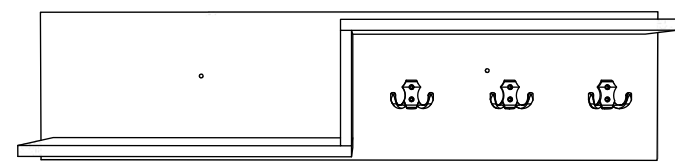
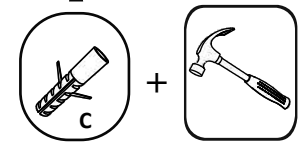
1



2



OR



3

4